

DIXON[®] ZTR[®]

GRIZZLY SE

Parts Manual

6029FX / 966516601 6029FX BF / 966516602

7234FX / 966516701 7234FX BF / 966516702

**Please read the operator's manual carefully and make sure
you understand the instructions before using the machine.**

When you need spare parts or support in service questions, warranty issues, etc., please consult the following professional:

This Parts Manual belongs to the machine with the manufacturing number:	Engine	Transmission

Manufacturing Number

The machine's manufacturing number can be found on the printed plate affixed to the engine compartment.

Stated on the plate, from the top are:

- The machine's type designation (I.D.).
- The manufacturer's type number (Model).
- The machine's serial number (Serial no.)

Please have the type designation and serial number available when ordering spare parts.

The engine's manufacturing number is stamped on one of the valve covers.

The plate states:

- The engine's model.
- The engine's type.
- Code

Please have these available when ordering spare parts.

The wheel motors and hydrostatic pumps have a barcode decal affixed at the rear.

CONTENTS

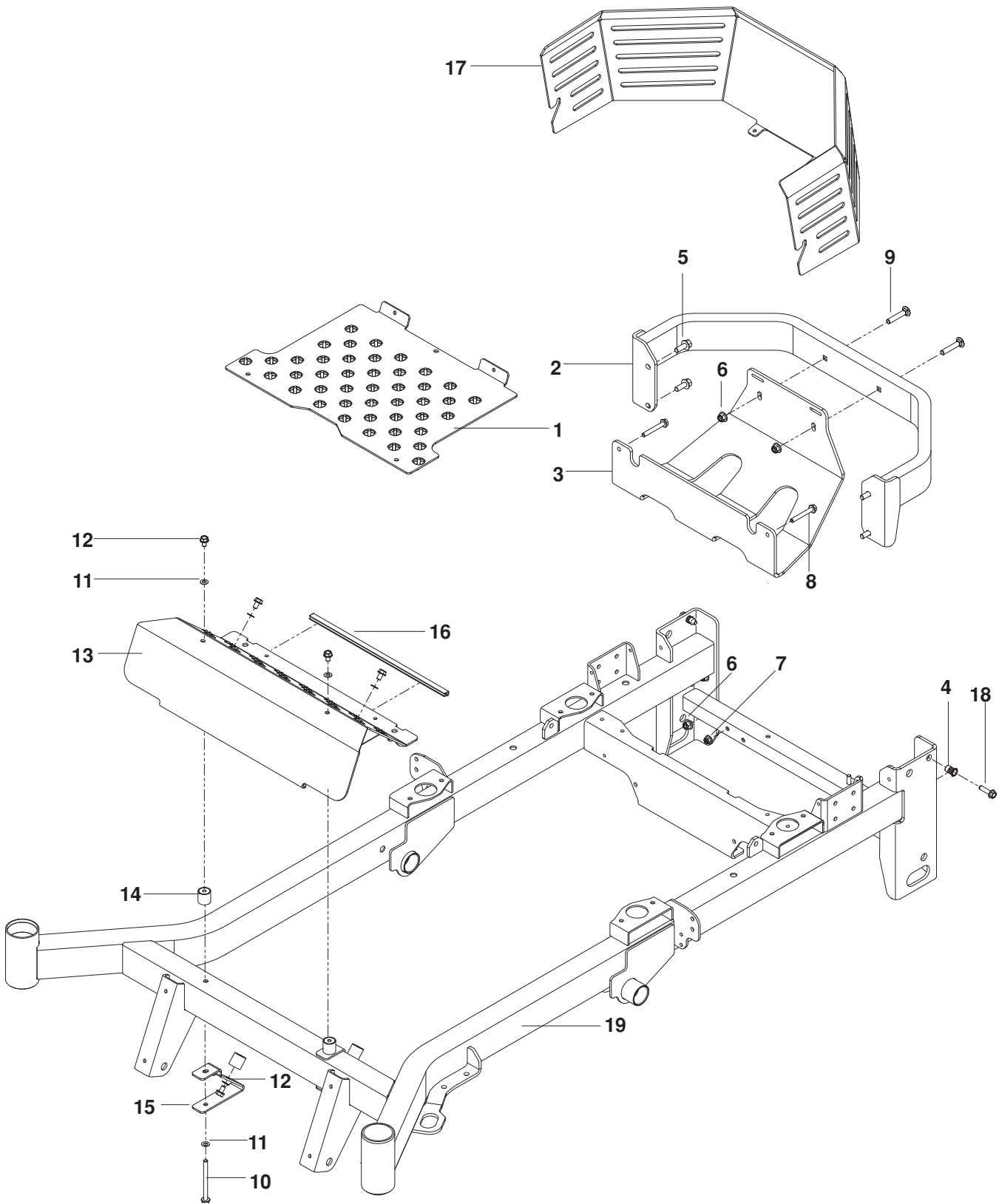
FRAME	4	MOWER LIFT / DECK LIFT	20
ENGINE PLATE.....	6	60" DECK	22
STEERING	8	72" DECK	24
IGNITION SYSTEM.....	10	SEAT	26
PARKING BRAKE	12	DECALS	28
HYDRAULIC PUMP-MOTOR.....	14	PROTECTION FRAME	30
966516601	14		
966516701	16		
WHEELS AND TIRES	18		

Accessories Available

Collection System	966 406901
Mulch Kit 60"	966 444701
Mulch Kit 72"	966 051701
OCDC Kit	966 488701
(Operator Controlled Discharge Chute)	

NOTE: ALL FASTENERS ARE GRADE 5 UNLESS OTHERWISE SPECIFIED.

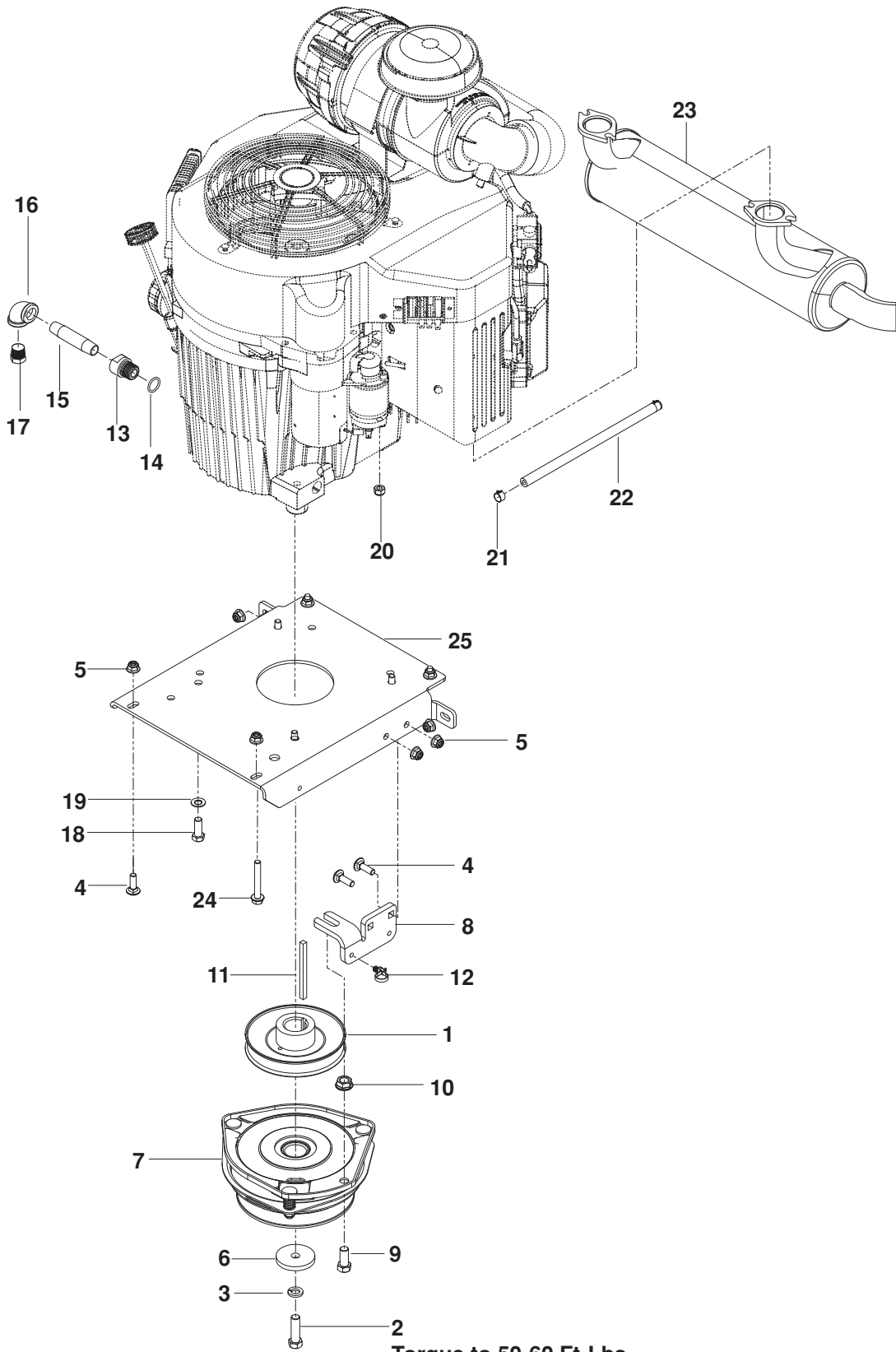
FRAME



FRAME

ITEM	PART NO.	QTY.	DESCRIPTION	ITEM	PART NO.	QTY.	DESCRIPTION
1..	574 215603....	1FLOORPAN	11..	539 109600....	8 WASHER ⁵ / ₁₆ DISC SPRING
2..	522 675703....	1BUMPER, REAR	12..	539 990858....	6 SCREW ⁵ / ₁₆ -18 x 1/2 SLF TAP
3..	574 228604....	1PLATE, SKID	13..	574 298802....	1 FOOTREST
4..	539 111028....	2 NUTSERT ⁵ / ₁₆ -18	14..	510 083201....	4 MOUNT, F/F INSERT
5..	525 612801....	4 SCREW ³ / ₈ -16 x 1 HEX FLG	15..	510 040301....	2 BRACKET, REST MOUNT
6..	521 996501....	7 NUT ³ / ₈ -16 HEX FLG NYLOC	16..	539 112294....	1 FLEX TRIM
7..	539 112899....	2 NUT ⁵ / ₁₆ -18 HEX FLG NYLOC	17..	574 299103....	1 GUARD, REAR
8..	574 233801....	2 SCREW ⁵ / ₁₆ -18 x 2 1/4 HEX FLG	18..	525 544001....	2 SCREW ⁵ / ₁₆ -18 x 1 1/4 TPBLT
9..	539 100145....	2 BOLT ³ / ₈ -16 x 2 RD HD	19..	574 482804....	1 FRAME w/ DECALS 60
10..	539 131780....	2 SCREW ⁵ / ₁₆ -18 x 3 3/4 HEX FLG		574 482805....	1 FRAME w/ DECALS 72

ENGINE PLATE

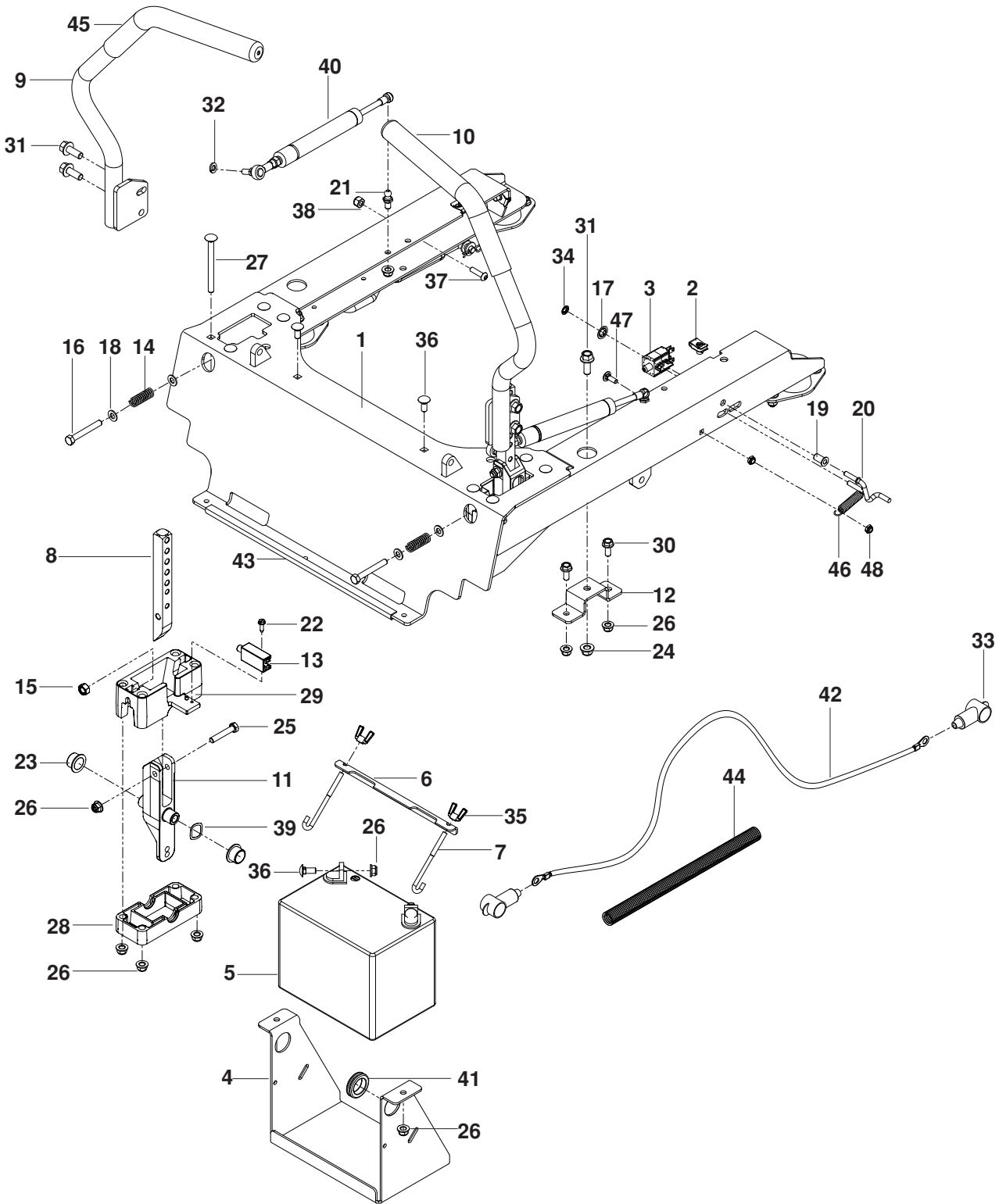


Torque to 50-60 Ft-Lbs

ENGINE PLATE

ITEM	PART NO.	QTY.	DESCRIPTION	ITEM	PART NO.	QTY.	DESCRIPTION
1..	510 019801....	1	PULLEY, ENGINE	17..	522 837001....	1	PLUG, DRAIN, 3/8 NPTF
2..	539 100141....	1	BOLT 7/16-20 x 1 1/2 HEX NYL	18..	539 990563....	4	BOLT 3/8-16 x 1 HEX NYLOC
3..	539 990247....	1	WASHER 7/16 SLW	19..	539 102593....	4	WASHER 3/8 SPRING
4..	539 990208....	3	BOLT 5/16-18 x 1 RD HD	20..	539 103153....	1	NUT M8X1.25 NYLOC
5..	539 112899....	2	NUT 5/16-18 HEX FLG NYLOC	21..	539 912222....	2	CLAMP, HOSE
6..	539 125626....	1	WASHER, BLADE	22..	539 932956....	1	FUEL LINE 10"
7..	525 749501....	1	CLUTCH, GT 3.5	23..	525 750301....	1	MUFFLER 966516601, 966516602
8..	522 676702....	1	STOP, CLUTCH		525 750401....	1	MUFFLER 966516701, 966516702
9..	539 100143....	1	BOLT 7/16-14 x 1 HEX NYLOC	24..	574 233801....	3	SCREW 5/16-18 x 2 1/4 HEX FLG
10..	539 102582....	1	NUT 7/16-14 HEX WHIZ LK	25..	510 004602....	1	PLATE, ENGINE
11..	525 749901....	1	KEY 1/4 SQ x 3 1/2				NOT SHOWN
12..	505 280001....	1	TIE WRAP w/ CLIP		525 554201....	1	ENGINE HARNESS, KAW
13..	539 119680....	1	ADAPTOR, OIL DRAIN		574 825801....	1	KIT, SPARK ARRESTOR
14..	539 109618....	1	O-RING				
15..	539 118911....	1	PIPE 3/8 NPT x 3"				
16..	539 105072....	1	ELBOW 90°				

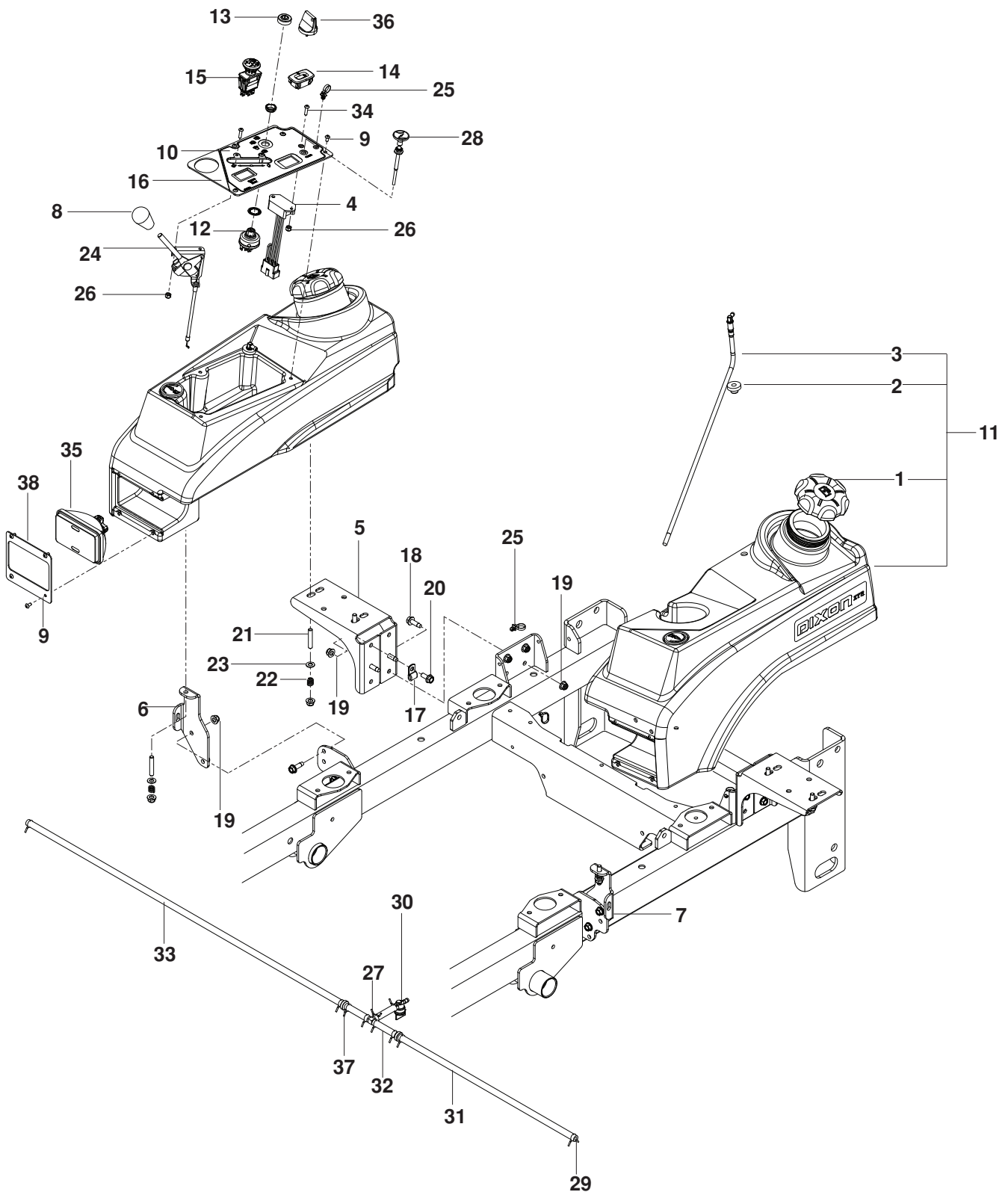
STEERING



STEERING

ITEM	PART NO.	QTY.	DESCRIPTION	ITEM	PART NO.	QTY.	DESCRIPTION
1..	574 189603....	1 FRAME MOUNT	27..	539 131665....	8 BOLT $\frac{5}{16}$ -18 x 3 $\frac{3}{4}$ RD HD
2..	539 104763....	4 RETAINER, U TYPE	28..	539 131519....	2 BLOCK, LOWER
3..	539 113792....	1 SWITCH, BRAKE (3-POLE)	29..	539 131517....	2 BLOCK, UPPER
4..	510 029902....	1 BRACKET, BATTERY	30..	525 464701....	8 SCREW $\frac{5}{16}$ -18 x $\frac{3}{4}$ HEX FLG
5..	539 102436....	1 BATTERY	31..	525 612801....	8 SCREW $\frac{3}{8}$ -16 x 1 HEX FLG
6..	510 030001....	1 BRACKET, BATTERY MOUNT	32..	539 990187....	2 WASHER $\frac{5}{16}$ SLW
7..	510 064001....	2 J HOOK	33..	539 102759....	2 INSULATOR
8..	574 269401....	2 LEVER, MOTION	34..	539 102234....	1 PUSH NUT, $\frac{1}{4}$ "
9..	574 262701....	1 LEVER, w/ GRIP, RT	35..	539 990997....	2 WINGNUT $\frac{1}{4}$ -20 NYLOC
10..	574 262702....	1 LEVER, w/ GRIP, LT	36..	539 990316....	4 BOLT $\frac{5}{16}$ -18 x $\frac{3}{4}$ RD HD
11..	510 113203....	2 LEVER, CONTROL	37..	574 822701....	2 SCREW 10-24 x $\frac{3}{4}$ SKT HD
12..	522 849702....	4 MOUNT	38..	539 976977....	2 NUT 10-24 HEX NYLOC
13..	539 101080....	2 SWITCH N.C.	39..	539 133007....	1 WASHER, WAVE
14..	539 101224....	2 SPRING	40..	516 020301....	1 DAMPENER ASSY
15..	539 990196....	2 NUT $\frac{5}{16}$ -18 HEX	41..	539 105974....	1 RUBBER GROMMET
16..	539 108396....	2 BOLT $\frac{5}{16}$ -18 x 2 $\frac{1}{2}$ HEX TPBLT	42..	522 718701....	1 CABLE, POSITIVE
17..	539 913847....	2 RETAINER NUT $\frac{3}{8}$	43..	539 112294....	1 FLEX TRIM
18..	539 990188....	4 WASHER $\frac{5}{16}$ SAE FLAT	44..	574 235301....	1 LOOM, SPLIT, $\frac{5}{8}$
19..	511 594901....	1 BUSHING, $\frac{1}{4}$ FLANGE	45..	539 130894....	2 GRIP, LEVER
20..	511 595001....	1 LINK, SWITCH	46..	539 020035....	1 SPRING
21..	539 110607....	2 BALL STUD 10MM	47..	539 990074....	1 BOLT $\frac{1}{4}$ -20 x $\frac{3}{4}$ GR2 RD HD
22..	539 991034....	2 SCREW 10-24 x $\frac{5}{8}$ WSH HD	48..	539 108120....	2 NUT $\frac{1}{4}$ -20 HEX THIN NYLOC
23..	539 131518....	4 BEARING, FLANGE				NOT SHOWN
24..	525 996501....	4 NUT $\frac{3}{8}$ -16 HEX FLG NYLOC		510 093601....	1 HARNESS, MAIN WIRING
25..	539 990669....	2 BOLT $\frac{5}{16}$ -18 x 1 $\frac{3}{4}$ HEX NYL		522 710701....	1 CABLE, NEGATIVE
26..	539 112899..	25 NUT $\frac{5}{16}$ -18 HEX FLG NYLOC				

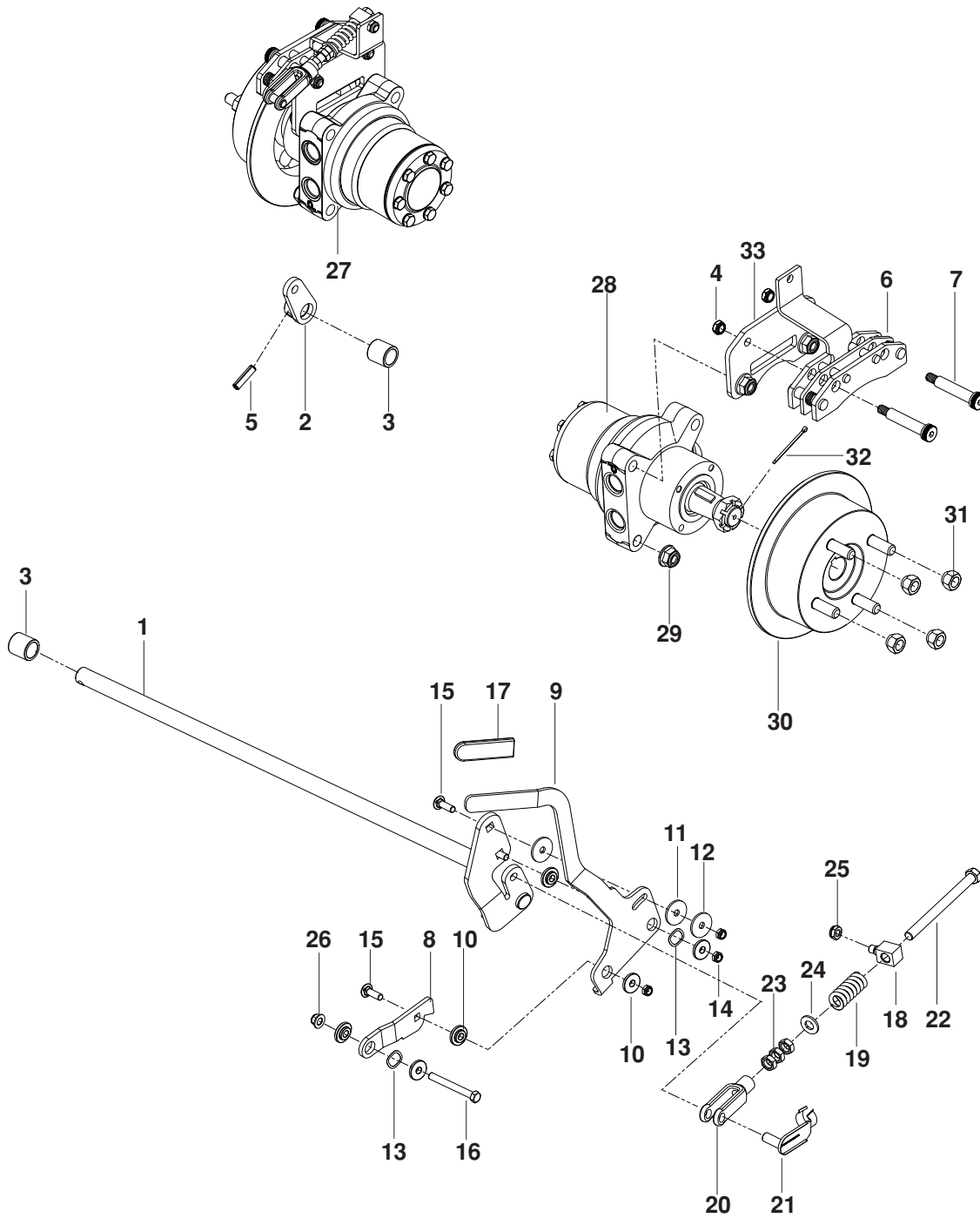
IGNITION SYSTEM



IGNITION SYSTEM

ITEM	PART NO.	QTY.	DESCRIPTION	ITEM	PART NO.	QTY.	DESCRIPTION
1..	539 130394....	2	FUEL CAP	22..	539 102845....	6	SPRING, TANK MOUNT
2..	539 105245....	2	RUBBER GROMMET	23..	539 990188....	6	WASHER ⁵ / ₁₆ SAE FLAT
3..	574 830601....	2	FITTING, FUEL LT	24..	574 207001....	1	CABLE, THROTTLE
	574 830501....	1	FITTING, FUEL RT				966516601, 966516602
4..	574 514001....	1	TIMER, SEAT		574 207002....	1	CABLE, THROTTLE
5..	510 083002....	1	TANK MOUNT, RR				966516701, 966516702
6..	574 211602....	1	TANK MOUNT, RT FRT	25..	505 280001....	2	TIE WRAP w/ CLIP
7..	574 211702....	1	TANK MOUNT, LT FRT	26..	539 976977....	4	NUT 10-24 HEX NYLOC
8..	539 132624....	1	KNOB	27..	574 206601....	1	TEE, FUEL LINE
9..	539 114341..	11	SCREW 10-24 x ³ / ₈ SCK HD	28..	574 206901....	1	CABLE, CHOKE
10..	510 246603....	1	DECAL, CONTROL	29..	539 912222..	10	CLAMP, FUEL LINE
11..	575 244602....	1	TANK ASSY, LT	30..	539 916325....	1	FUEL VALVE
	575 244702....	1	TANK ASSY, RT	31..	539 922091....	1	FUEL LINE
12..	574 455401....	1	SWITCH, w/ WSHR, NUT	32..	505 215101....	3	FUEL LINE 2½"
13..	539 103178....	1	CAP, IGNITION SWITCH	33..	539 105280....	1	FUEL LINE 35"
14..	539 110074....	1	HOUR METER	34..	574 822701....	4	SCREW 10-24 x ³ / ₄ SKT HD
15..	539 131627....	1	SWITCH, PTO 10 AMP	35..	539 114232....	2	LIGHT
16..	574 846002....	1	PANEL, CONTROL	36..	574 455501....	1	KEY
17..	539 109867....	1	CLAMP, DOUBLE TUBE	37..	574 206701....	2	CHECK VALVE
18..	539 113226..	10	BOLT ⁵ / ₁₆ -18 x 1 THD FRM	38..	539 114075....	2	PLATE, LIGHT
19..	539 112899..	17	NUT ⁵ / ₁₆ -18 HEX FLG NYLOC				
20..	525 464701....	1	SCREW ⁵ / ₁₆ -18 x ³ / ₄ HEX FLG				
21..	539 102502....	6	STUD, FUEL TANK				

PARKING BRAKE

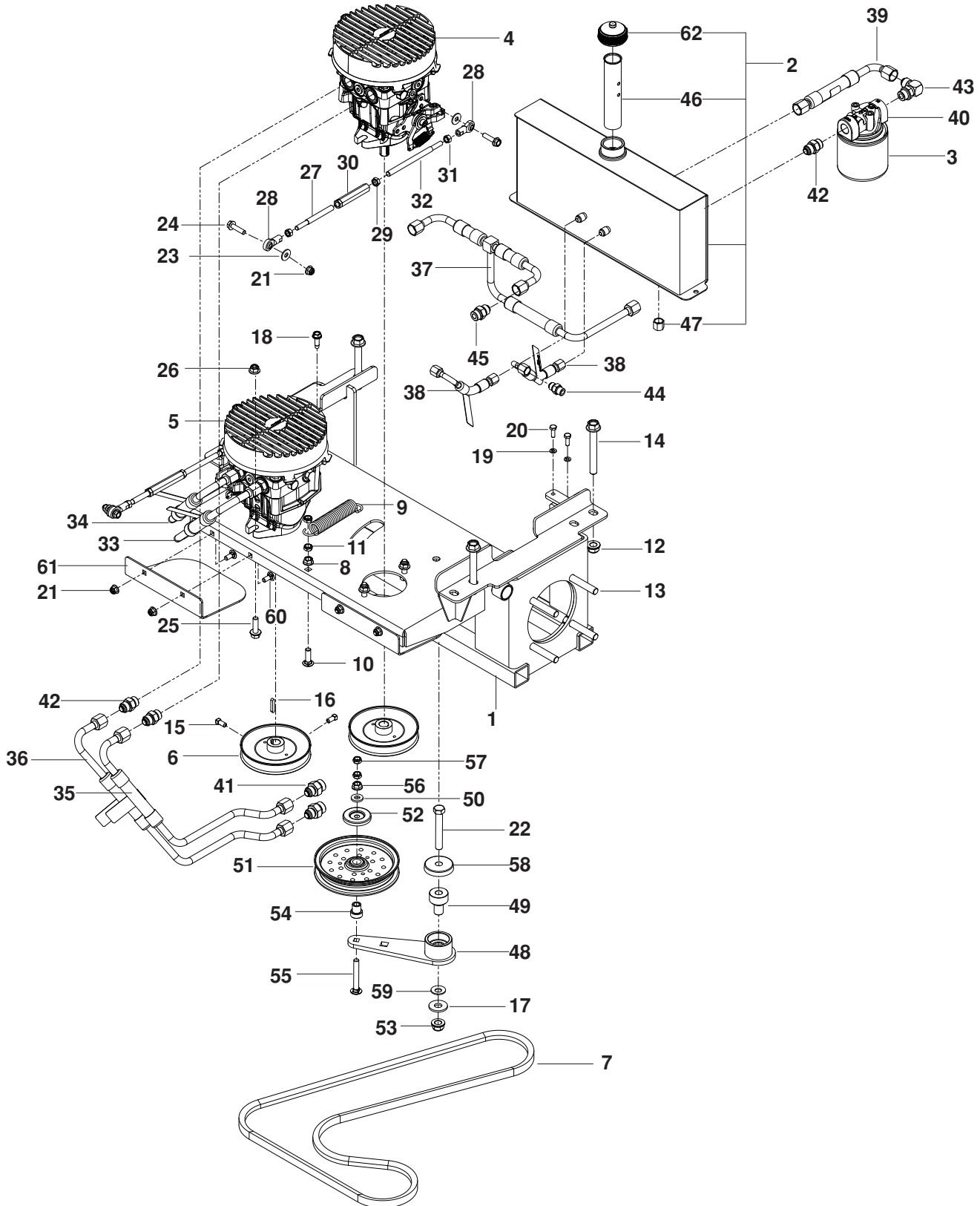


PARKING BRAKE

ITEM	PART NO.	QTY.	DESCRIPTION	ITEM	PART NO.	QTY.	DESCRIPTION
1..	525 851201....	1 SHAFT, BRAKE	20..	539 977465....	1 YOKE
2..	510 025901....	1 ARM, RT BRAKE	21..	522 705901....	1 PIN $\frac{3}{8}$ CLEVIS SPRING
3..	510 089201....	2 BUSHING, SLEEVE $\frac{3}{4}$ x 1	22..	539 104984....	1 BOLT $\frac{3}{8}$ -24 x $4\frac{1}{2}$ HEX NYL
4..	539 200282....	6 NUT $\frac{3}{8}$ -16 HEX JAM NYLOC	23..	539 108732....	3 NUT $\frac{3}{8}$ -24 HEX JAM
5..	539 110631....	1 ROLL PIN $\frac{5}{16}$ " DIA.	24..	539 990122....	1 WASHER $\frac{3}{8}$ SAE FLT
6..	539 133047....	2 CALIPER	25..	539 115617....	1 NUT $\frac{5}{16}$ -18 HEX NYLOC INS
7..	516 035501....	4 BOLT $\frac{1}{2}$ x $2\frac{1}{4}$, $\frac{3}{8}$ -16 SHLDR	26..	521 996501....	1 NUT $\frac{3}{8}$ -16 HEX FLG NYLOC
8..	515 980301....	1 LINK, FOLLOWER	27..	575 224601....	1 MOTOR, RT 966516601, 966516602
9..	515 980002....	1 LEVER, BRAKE	574 805202....	1 MOTOR, RT 966516701, 966516702	
10..	539 132161....	6 BUSHING, BRAKE	28..	539 110823....	1 MOTOR, LT 966516601, 966516602
11..	525 490901....	3 WASHER, FRICTION	574 805201....	1 MOTOR, LT 966516701, 966516702	
12..	539 912063....	1 WASHER, CONE	29..	521 991101....	8 NUT $\frac{1}{2}$ -13 HEX FLG NYLOC
13..	539 133007....	2 WASHER, WAVE	30..	525 848701....	2 HUB, DISC BRAKE, w/ STUDS
14..	539 200282....	3 NUT $\frac{3}{8}$ -16 HEX JAM NYLOC	31..	539 101173....	8 LUG NUT $\frac{1}{2}$
15..	539 100413....	3 BOLT $\frac{3}{8}$ -16 x $1\frac{1}{4}$ RD HD	32..	539 102889....	2 COTTER PIN $\frac{1}{8}$ x 2
16..	539 923463....	1 BOLT $\frac{3}{8}$ -16 x $3\frac{1}{4}$ HEX NYLOC	33..	525 851601....	1 PLATE, CALIPER
17..	539 976526....	1 GRIP, LEVER				
18..	525 851401....	1 SWIVEL, BRAKE				
19..	539 113952....	1 SPRING				

HYDRAULIC PUMP-MOTOR

966516601, 966516602

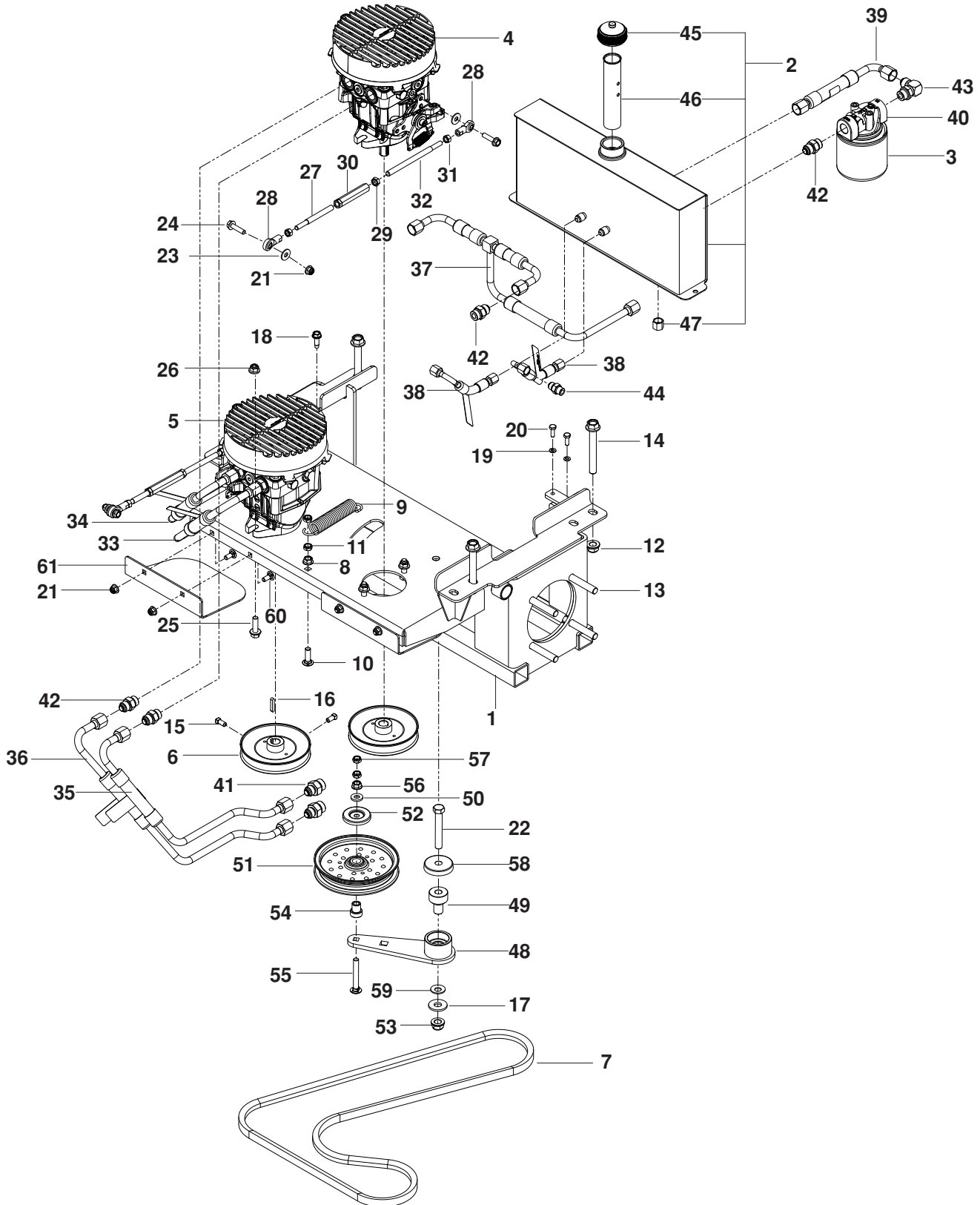


HYDRAULIC PUMP-MOTOR

ITEM	PART NO.	QTY.	DESCRIPTION	ITEM	PART NO.	QTY.	DESCRIPTION
1..	506 007902....	1 FRAME, SUB	33..	510 010101....	1 LINE, HYDRAULIC, RT-A
2..	506 120802....	1 OIL TANK ASSY	34..	510 010201....	1 LINE, HYDRAULIC, RT-B
3..	522 805401....	1 FILTER, 25 MICRON	35..	510 010301....	1 LINE, HYDRAULIC, LT-A
4..	505 351001....	1 PUMP, 12CC RT	36..	510 010401....	1 LINE, HYDRAULIC, LT-B
5..	505 351101....	1 PUMP, 12CC LT	37..	510 010501....	1 LINE, HYDRAULIC, CHARGE
6..	510 019001....	2 PULLEY, PUMP, 15MM	38..	510 010601....	1 LINE, HYDRAULIC, CASE
7..	573 978301....	1 BELT	39..	510 010701....	1 LINE, HYDRAULIC, SUCTION
8..	539 990613....	1 NUT 3/8-16 HEX WHIZLK	40..	539 105892....	1 FILTER HEAD
9..	510 254401....	1 SPRING, PUMP	41..	539 101239....	4 STRAIGHT CONNECTOR
10..	539 100413....	1 BOLT 3/8-16 x 1 1/4 RD HD	42..	539 101237....	5 STRAIGHT CONNECTOR
11..	539 200282....	6 NUT 3/8-16 HEX JAM NYLOC	43..	539 101242....	1 ELBOW 90° ADJ
12..	521 991101..	12 NUT 1/2-13 HEX FLG NYLOC	44..	539 103316....	2 CONNECTOR
13..	539 101332....	8 BOLT 1/2-13 x 2 3/4 HEX NYLOC	45..	539 131748....	2 STRAIGHT CONNECTOR
14..	525 544801....	4 BOLT 1/2-13 x 4 HEX FLG	46..	522 805001....	1 TUBE, ANTI-SPLASH
15..	539 102717....	4 SCREW 5/16-18 x 5/8 SET	47..	539 105168....	1 CAPNUT
16..	539 101177....	2 KEY, METRIC	48..	510 041603....	1 ARM, IDLER, w/ BEARINGS
17..	539 109554....	1 WASHER 1/2 FLAT	49..	510 206301....	1 PIVOT, BEARING
18..	539 113226....	2 BOLT 5/16-18 x 1 THD FRM	50..	522 023401....	1 WASHER 3/8 THICK
19..	539 990052....	2 WASHER 1/4 SPLIT LOCK	51..	510 283702....	1 IDLER PULLEY
20..	539 990580....	2 BOLT 1/4-20 x 3/4 HEX NYLOC	52..	510 254501....	1 SHIELD, DUST
21..	539 112899....	8 NUT 5/16-18 HEX FLG NYLOC	53..	521 991101....	1 NUT 1/2-13 HEX FLG NYLOC
22..	539 103433....	1 BOLT 1/2-13 x 3 1/4 HEX NYLOC	54..	525 435601....	1 PIVOT, IDLER
23..	539 990692....	4 WASHER 5/16 STD FLT	55..	539 130235....	1 BOLT 3/8-16 x 2 3/4 RD HD
24..	525 544001....	4 SCREW 5/16-18 x 1 1/4 TPBLT	56..	539 990613....	1 NUT 3/8-16 HEX WHIZLK
25..	525 834201....	4 SCREW 3/8-16 x 1 1/4 HEX FLG	57..	539 200282....	2 NUT 3/8-16 HEX JAM NYLOC
26..	521 996501....	4 NUT 3/8-16 HEX FLG NYLOC	58..	539 114662....	1 SHIELD, DUST
27..	522 559201....	1 LINKAGE, CONTROL, FT	59..	539 115528....	1 WASHER 1/2" BELLEVILLE
28..	539 102590....	2 BALL END, RT	60..	539 990316....	4 BOLT 5/16-18 x 3/4 RD HD
29..	539 108732....	1 NUT 3/8-24 HEX JAM	61..	574 398502....	2 SHIELD, PULLEY
30..	539 109149....	1 TURNBUCKLE 3/8	62..	522 805301....	1 CAP, HYDRAULIC
31..	539 990223....	2 NUT 5/16-24 HEX	NOT SHOWN			
32..	522 842801....	1 LINKAGE, CONTROL, RR	539 104763....	2 RETAINER, U TYPE	

HYDRAULIC PUMP-MOTOR

966516701, 966516702



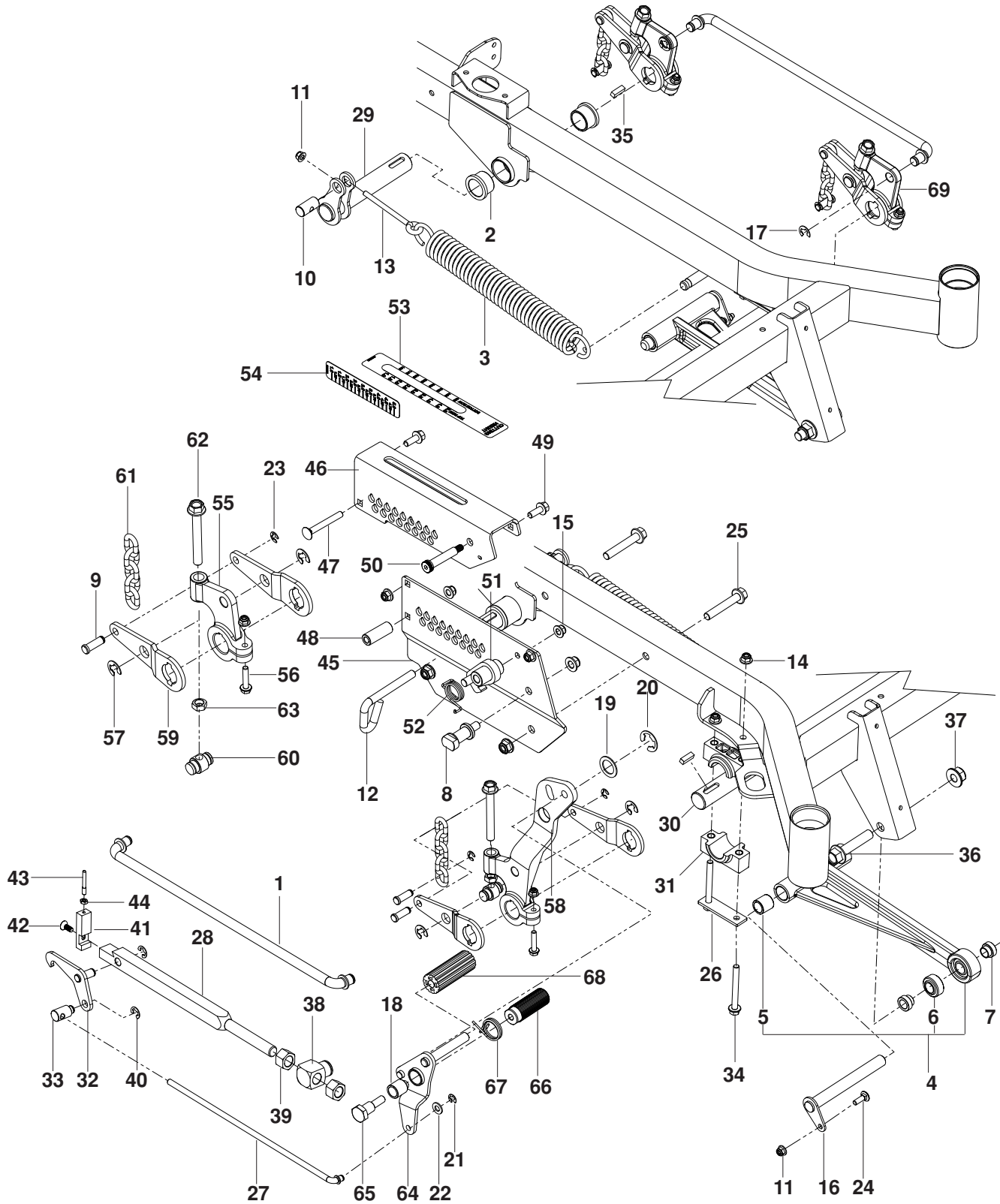
HYDRAULIC PUMP-MOTOR

ITEM	PART NO.	QTY.	DESCRIPTION	ITEM	PART NO.	QTY.	DESCRIPTION
1..	506 007902....	1 FRAME, SUB	33..	510 013601....	1 LINE, HYDRAULIC, RT-A
2..	506 120802....	1 OIL TANK ASSY	34..	510 013701....	1 LINE, HYDRAULIC, RT-B
3..	522 805401....	1 FILTER, 25 MICRON	35..	510 013801....	1 LINE, HYDRAULIC, LT-A
4..	506 120401....	1 PUMP, 16CC RT	36..	510 013901....	1 LINE, HYDRAULIC, LT-B
5..	506 120501....	1 PUMP, 16CC LT	37..	510 014001....	1 LINE, HYDRAULIC, CHARGE
6..	510 019002....	2 PULLEY, PUMP, 17MM	38..	510 014501....	2 LINE, HYDRAULIC, CASE
7..	573 978301....	1 BELT	39..	510 010701....	1 LINE, HYDRAULIC, SUCTION
8..	539 990613....	1 NUT 3/8-16 HEX WHIZLK	40..	539 105892....	1 FILTER HEAD
9..	510 254401....	1 SPRING, PUMP	41..	539 101239....	4 STRAIGHT CONNECTOR
10..	539 100413....	1 BOLT 3/8-16 x 1 1/4 RD HD	42..	539 101237....	7 STRAIGHT CONNECTOR
11..	539 200282....	6 NUT 3/8-16 HEX JAM NYLOC	43..	539 101242....	1 ELBOW 90° ADJ
12..	521 991101..	12 NUT 1/2-13 HEX FLG NYLOC	44..	539 103316....	2 CONNECTOR
13..	539 101332....	8 BOLT 1/2-13 x 2 3/4 HEX NYLOC	45..	522 805301....	1 CAP, HYDRAULIC
14..	525 544801....	4 BOLT 1/2-13 x 4 HEX FLG	46..	522 805001....	1 TUBE, ANTI-SPLASH
15..	539 102717....	4 SCREW 5/16-18 x 5/8 SET	47..	539 105168....	1 CAPNUT
16..	539 101177....	2 KEY, METRIC	48..	510 041603....	1 ARM, IDLER, w/ BEARINGS
17..	539 109554....	1 WASHER 1/2 FLAT	49..	510 206301....	1 PIVOT, BEARING
18..	539 113226....	2 BOLT 5/16-18 x 1 THD FRM	50..	522 023401....	1 WASHER 3/8 THICK
19..	539 990052....	2 WASHER 1/4 SPLIT LOCK	51..	510 283702....	1 IDLER PULLEY
20..	539 990580....	2 BOLT 1/4-20 x 3/4 HEX NYLOC	52..	510 254501....	1 SHIELD, DUST
21..	539 112899....	8 NUT 5/16-18 HEX FLG NYLOC	53..	521 991101....	1 NUT 1/2-13 HEX FLG NYLOC
22..	539 103433....	1 BOLT 1/2-13 x 3 1/4 HEX NYLOC	54..	525 435601....	1 PIVOT, IDLER
23..	539 990692....	4 WASHER 5/16 STD FLT	55..	539 130235....	1 BOLT 3/8-16 x 2 3/4 RD HD
24..	525 544001....	4 SCREW 5/16-18 x 1 1/4 TPBLT	56..	539 990613....	1 NUT 3/8-16 HEX WHIZLK
25..	525 834201....	4 SCREW 3/8-16 x 1 1/4 HEX FLG	57..	539 200282....	2 NUT 3/8-16 HEX JAM NYLOC
26..	521 996501....	4 NUT 3/8-16 HEX FLG NYLOC	58..	539 114662....	1 SHIELD, DUST
27..	522 559201....	1 LINKAGE, CONTROL, FT	59..	539 115528....	1 WASHER 1/2" BELLEVILLE
28..	539 102590....	2 BALL END, RT	60..	539 990316....	4 BOLT 5/16-18 x 3/4 RD HD
29..	539 108732....	1 NUT 3/8-24 HEX JAM	61..	574 398502....	2 SHIELD, PULLEY
30..	539 109149....	1 TURNBUCKLE 3/8				NOT SHOWN
31..	539 990223....	2 NUT 5/16-24 HEX		539 104763....	2 RETAINER, U TYPE
32..	522 842801....	1 LINKAGE, CONTROL, RR				

WHEELS AND TIRES

ITEM	PART NO.	QTY.	DESCRIPTION	ITEM	PART NO.	QTY.	DESCRIPTION
1..	510 034001....2	CAP, DUST	13..	539 103300....2	ZERK
2..	522 842601....2	NUT 3/4-16 HEX THIN NYLOC	14..	539 912234....2	STEM, VALVE
3..	574 824701....2	WASHER 3/4 HARDENED	15..	510 154501....2	TIRE ASSY 24 x 12 966516601, 966516602
4..	510 034401....4	BEARING, TAPERED		539 105486....2	TIRE ASSY 24 X 12 966516701
5..	510 034301....2	SEAL, BEARING	16..	510 154502....2	RIM 12 x 1.75 NEG OFFSET 966516601, 966516602
6..	539 105518....4	AXLE SPACER	17..	539 105152....2	TIRE 24 x 12 4 PLY 966516601, 966516602
7..	539 105521....2	TIRE ASSY 13 x 6.5 PNEU		NOT SHOWN		
8..	539 105517....2	BOLT 1/2-13 x 9 1/2 HEX NYLOC		510 154601....2	TIRE ASSY 13 x 6.5, FLT FREE (optional)
9..	521 991101....2	NUT 1/2-13 HEX FLG NYLOC				
10..	525 611903....2	FORK, CASTER				
11..	539 990250....2	WASHER 1/2 SAE				
12..	539 101474....2	ZERK				

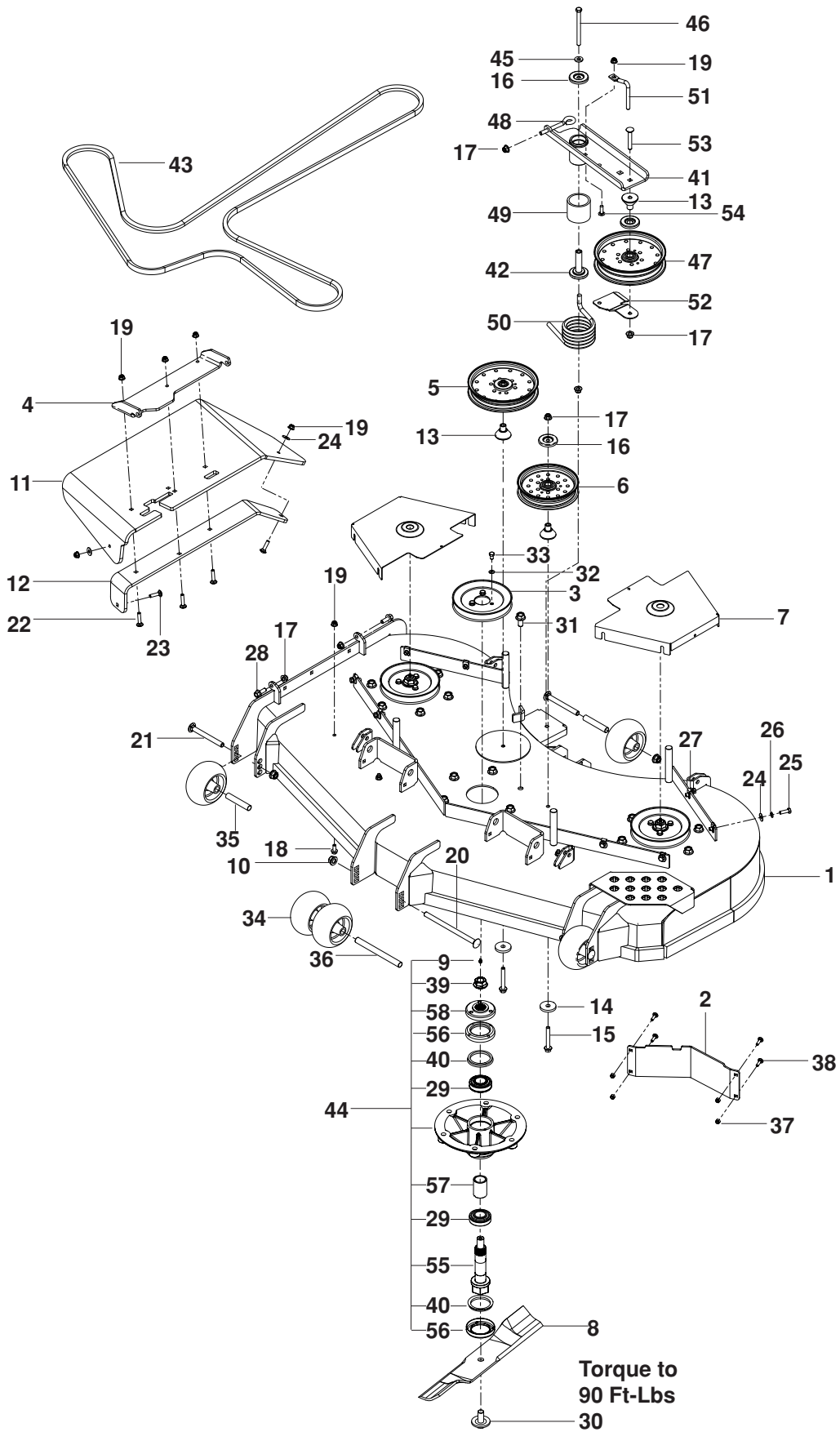
MOWER LIFT / DECK LIFT



MOWER LIFT / DECK LIFT

ITEM	PART NO.	QTY.	DESCRIPTION	ITEM	PART NO.	QTY.	DESCRIPTION
1..	510 089801....2	ROD, LIFT	37..	525 829101....2	NUT $\frac{5}{8}$ -11 FLG NYLOC
2..	510 089401....4	BUSHING, FLANGED 1 $\frac{1}{4}$ ID	38..	510 406401....1	SWIVEL, HEIGHT BAR
3..	510 029201....2	SPRING, EXTENSION	39..	539 108677....2	NUT $\frac{3}{4}$ -10 HEX
4..	510 106501....2	STRUT ASSY	40..	539 101949....2	E-RING $\frac{1}{2}$ "
5..	510 089201....2	BUSHING, SLEEVE $\frac{3}{4}$ x 1	41..	510 406501....1	CAP, HEIGHT BAR
6..	510 083801....1	BALLJOINT $\frac{3}{4}$ SWIVEL	42..	522 705601....1	SCREW $\frac{5}{16}$ -18 x $\frac{3}{4}$ HEX SCKT
7..	510 362501....4	SPACER, STRUT	43..	510 406601....1	LINK, INDICATOR
8..	510 406701....1	GUIDE, HEIGHT BAR	44..	539 991112....1	NUT $\frac{1}{4}$ -20 JAM
9..	510 090101....8	PIN, $\frac{7}{16}$ CLEVIS	45..	510 408503....1	PLATE, INNER HEIGHT
10..	510 412301....2	PIVOT, SPRING	46..	510 408603....1	PLATE, OUTER HEIGHT
11..	539 112899....8	NUT $\frac{5}{16}$ -18 HEX FLG NYLOC	47..	539 122728....1	BOLT $\frac{3}{8}$ -16 x 3 RD HD GR2
12..	510 016501....1	PIN, HEIGHT	48..	510 408401....1	SPACER, HEIGHT PLATE
13..	539 120993....2	EYEBOLT 4 $\frac{1}{2}$	49..	525 612801....2	SCREW $\frac{3}{8}$ -16 x 1 HEX FLG
14..	521 996501....4	NUT $\frac{3}{8}$ -16 HEX FLG NYLOC	50..	516 035501....1	BOLT $\frac{1}{2}$ x 2 $\frac{1}{4}$, $\frac{3}{8}$ -16 SHLDR
15..	521 991101....3	NUT $\frac{1}{2}$ -13 HEX FLG NYLOC	51..	510 406801....1	LATCH, TRANSPORT
16..	515 988201....2	PIN, STRUT	52..	510 376601....1	SPRING, TORSION
17..	539 105069....4	E-RING $\frac{5}{8}$	53..	516 038101....1	DECAL, HEIGHT
18..	510 089201....1	BUSHING, SLEEVE $\frac{3}{4}$ x 1	54..	525 349701....1	DECAL, HEIGHT
19..	539 916561....1	BUSHING 1" x 14 GA	55..	510 022501....1	ARM, CAST LIFT
20..	539 912730....1	E-RING 1"	56..	525 465401....1	SCREW $\frac{5}{16}$ -18 x 1 $\frac{1}{2}$ HEX FLG
21..	539 990870....1	E- RING $\frac{3}{8}$ "	57..	539 102454....3	E-RING $\frac{3}{4}$ "
22..	539 990122....1	WASHER $\frac{3}{8}$ SAE FLT	58..	510 022502....1	LEVER, DECK LIFT
23..	522 705201....4	E-RING $\frac{7}{16}$ "	59..	510 410002....4	ARM, LIFT
24..	539 990208....2	BOLT $\frac{5}{16}$ -18 x 1 RD HD	60..	510 023601....4	SHAFT, LIFT TRUNION
25..	525 828901....2	BOLT $\frac{1}{2}$ -13 x 3 HEX FLG	61..	539 102641....4	LIFT CHAIN
26..	525 822201....2	PLATE, PILLOW BLOCK	62..	525 465701....4	BOLT $\frac{1}{2}$ -13 x 4 HEX TPBLT
27..	510 407601....1	ROD, HEIGHT LATCH	63..	539 990625....4	NUT $\frac{1}{2}$ -13 HEX JAM
28..	510 406301....1	BAR, HEIGHT	64..	510 407801....1	PEDAL, RELEASE
29..	510 410703....2	SHAFT, RR LIFT	65..	510 408201....1	BOLT, SHOULDER
30..	510 409602....1	SHAFT, LIFT, FT	66..	510 089501....1	PAD, FOOT PEDAL
31..	510 023902....4	BLOCK, PILLOW	67..	510 376701....1	SPRING, TORSION
32..	510 407201....1	LATCH, HEIGHT	68..	510 408301....1	PEDAL, DECK HEIGHT
33..	510 407501....1	SWIVEL, HEIGHT LATCH	69..	525 465501....3	ASSY, DECK LIFT CRANK
34..	525 822101....4	SCREW $\frac{3}{8}$ -16 x 3 $\frac{1}{2}$ HEX FLG	NOT SHOWN			
35..	525 822501....4	KEY $\frac{5}{16}$ SQ x 1	525 465502....1	ASSY, DECK LIFT LEVER	
36..	525 829001....2	SCREW $\frac{5}{8}$ -11 x 3 HEX FLG				

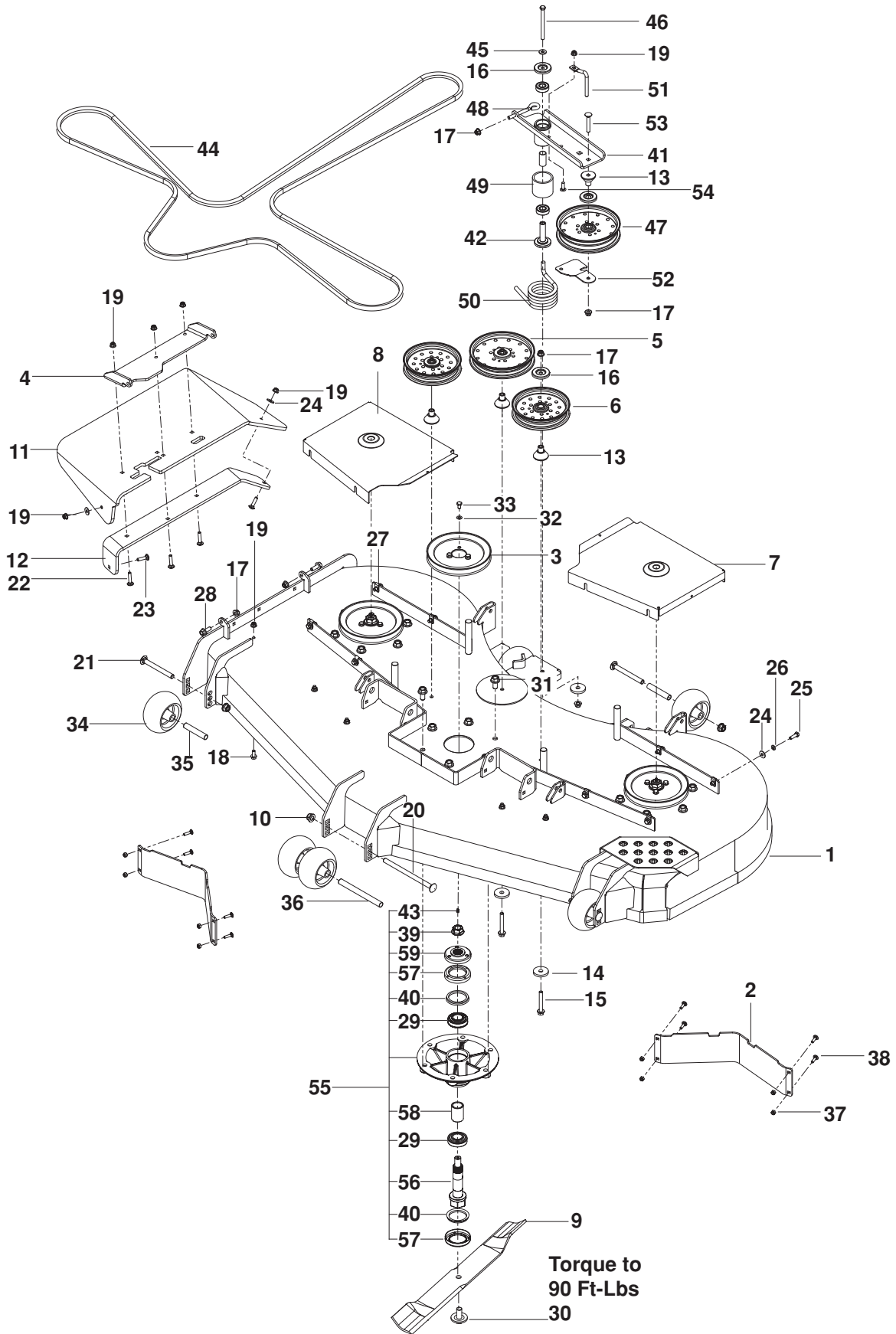
60" DECK



60" DECK

ITEM	PART NO.	QTY.	DESCRIPTION	ITEM	PART NO.	QTY.	DESCRIPTION
1..	574 497203....	1 DECK w/ SAFETY DECALS	33..	539 130315....	9 BOLT $\frac{5}{16}$ -18 x $\frac{1}{2}$ HEX NYLOC
2..	510 437502....	1 BAFFLE, FLOW DIVERTER	34..	574 169601....	5 ROLLER, GAUGE
3..	539 130646....	3 PULLEY	35..	574 196401....	2 TUBE, ROLLER AXLE
4..	574 197002....	1 BRACKET, CHUTE PIVOT	36..	574 196501....	1 TUBE, ROLLER AXLE LONG
5..	525 598201....	1 PULLEY, IDLER 7" NARROW	37..	539 976978....	4 NUT $\frac{1}{4}$ -20 HEX NYLOC
6..	510 019601....	1 PULLEY, IDLER 6"	38..	539 109800....	4 BOLT $\frac{1}{4}$ -20 x 1 RD HD
7..	510 131203....	2 SHIELD, BELT	39..	539 130653....	3 NUT $\frac{3}{4}$ -16 FLG
8..	539 105711....	3 BLADE, 21"	40..	539 130639....	6 V-RING
9..	539 976998....	3 ZERK	41..	574 722201....	1 ARM, IDLER w/ BRGS, SPACR
10..	521 991101....	4 NUT $\frac{1}{2}$ -13 HEX FLG NYLOC	42..	522 729701....	1 BEARING, IDLER PIVOT
11..	525 485801....	1 CHUTE, DISCHARGE	43..	522 829601....	1 BELT, DECK
12..	525 486002....	1 BRACKET, CHUTE SUPPORT	44..	525 836401....	3 SPINDLE ASSY
13..	510 263701....	3 BEARING, IDLER ARM	45..	522 023401....	1 WASHER $\frac{3}{8}$ THICK
14..	539 106504....	3 WASHER, HEAVY	46..	539 101686....	1 BOLT $\frac{3}{8}$ -16 x $4\frac{1}{2}$ HEX GR 8
15..	539 131781....	2 SCREW $\frac{3}{8}$ -16 x $2\frac{3}{4}$ HEX FLG	47..	510 015101....	1 PULLEY, IDLER 7" WIDE
16..	510 254501....	3 SHIELD, DUST	48..	574 202001....	1 EYEBOLT $\frac{3}{8}$ x 4
17..	521 996501....	4 NUT $\frac{3}{8}$ -16 HEX FLG NYLOC	49..	525 465601....	1 SPACER, IDLER PIVOT
18..	525 464701....	3 SCREW $\frac{5}{16}$ -18 x $\frac{3}{4}$ HEX FLG	50..	525 310901....	1 SPRING, TORSION
19..	539 112899....	9 NUT $\frac{5}{16}$ -18 HEX FLG NYLOC	51..	574 262201....	1 KEEPER, BELT
20..	510 022401....	1 BOLT $\frac{1}{2}$ -13 x 8 RD HD	52..	574 262102....	1 GUIDE, BELT
21..	510 022301....	3 BOLT $\frac{1}{2}$ -13 x $4\frac{3}{4}$ RD HD	53..	539 128101....	1 BOLT $\frac{3}{8}$ -16 x $2\frac{1}{2}$ CARRIAGE
22..	539 102933....	3 BOLT $\frac{5}{16}$ -18 x $1\frac{1}{2}$ RD HD	54..	539 107271....	1 BOLT $\frac{5}{16}$ -18 x 1 RD HD
23..	539 100472....	2 BOLT $\frac{5}{16}$ -18 x $1\frac{1}{4}$ RD HD	55..	525 836001....	3 SHAFT, SPINDLE
24..	539 990692....	10 WASHER $\frac{5}{16}$ STD FLT	56..	539 130643....	6 CUP, DEBRIS
25..	539 990209....	8 BOLT $\frac{5}{16}$ -18 x 1 HEX HD	57..	539 130641....	3 SPACER
26..	539 990187....	8 WASHER $\frac{5}{16}$ SLW	58..	539 130637....	3 HUB
27..	539 104763....	8 RETAINER, U TYPE	NOT SHOWN - OPTIONAL			
28..	525 612801....	2 SCREW $\frac{3}{8}$ -16 x 1 HEX FLG	522 829301....	3 BLADE, HIGH LIFT 21"	
29..	539 130638....	6 BEARING	574 481301....	3 BLADE, LOW LIFT 21"	
30..	539 119007....	3 BLADE BOLT	522 936601....	3 BLADE, GATOR 21"	
31..	574 210601....	18 SCREW $\frac{1}{2}$ -13 x 1 HEX FLG	539 109755....	3 BLADE, WAVY REV LIFT 21"	
32..	539 109600....	9 WASHER $\frac{5}{16}$ DISC SPRING				

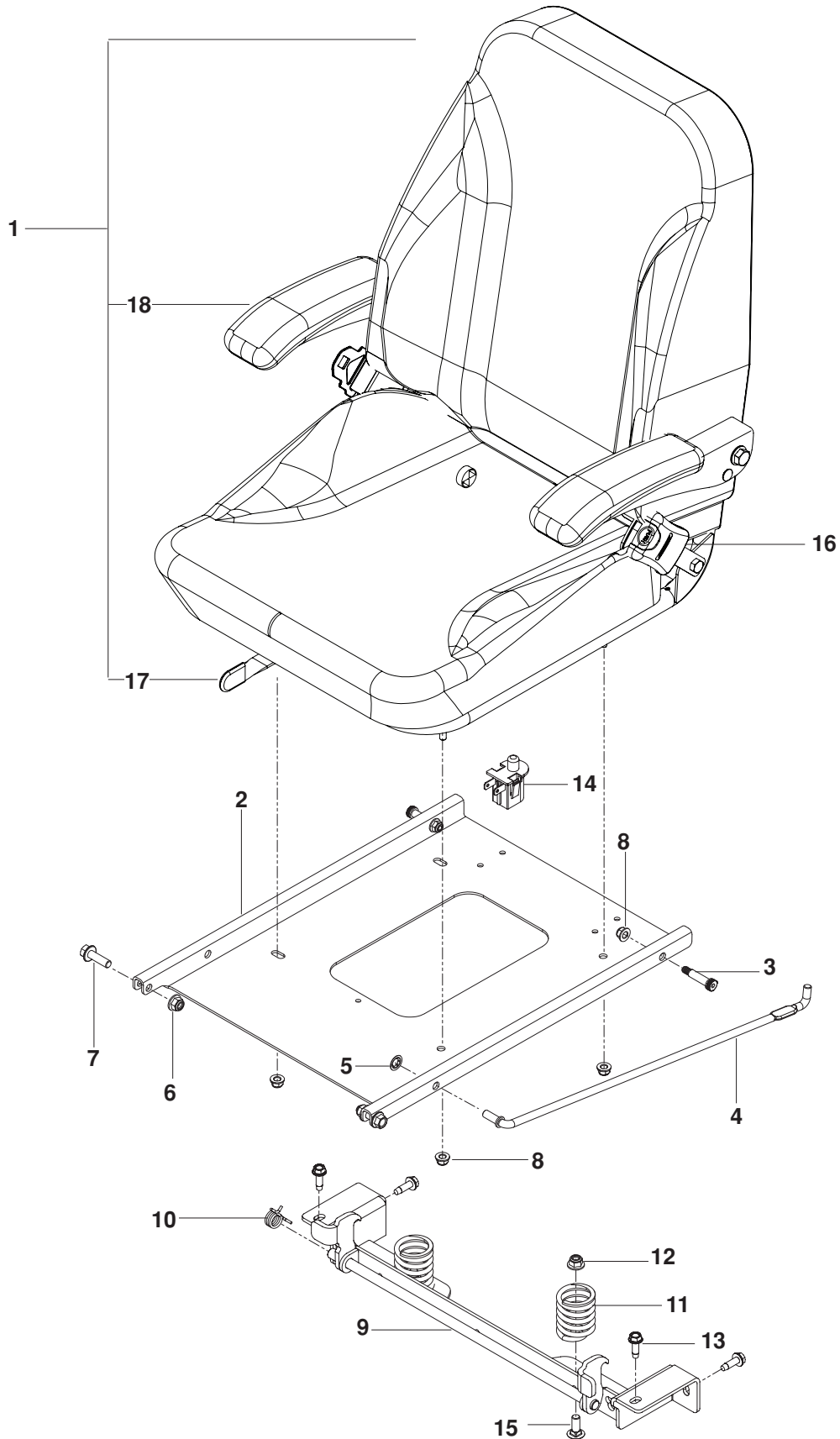
72" DECK



72" DECK

ITEM	PART NO.	QTY.	DESCRIPTION	ITEM	PART NO.	QTY.	DESCRIPTION
1..	574 497302....	1 DECK w/ SAFETY DECALS	34..	574 169601....	6 ROLLER, GAUGE
2..	574 221802....	2 BAFFLE, DIVERTER	35..	574 196401....	4 TUBE, ROLLER AXLE
3..	539 130647....	3 PULLEY	36..	574 196501....	1 TUBE, ROLLER AXLE LONG
4..	574 197002....	1 BRACKET, CHUTE PIVOT	37..	539 976978....	8 NUT 1/4-20 HEX NYLOC
5..	525 598201....	1 PULLEY, IDLER 7" NARROW	38..	539 109800....	8 BOLT 1/4-20 x 1 RD HD
6..	510 019601....	2 PULLEY, IDLER 6"	39..	539 130653....	3 NUT 3/4-16 FLG
7..	525 426303....	1 SHIELD, 72 RT	40..	539 130639....	6 V-RING
8..	525 426103....	1 SHIELD, 72 LT	41..	574 722201....	1 ARM, IDLER w/ BRGS, SPACR
9..	539 105476....	3 BLADE, 25"	42..	522 729701....	1 BEARING, IDLER PIVOT
10..	521 991101....	5 NUT 1/2-13 HEX FLG NYLOC	43..	539 976998....	3 ZERK
11..	525 485701....	1 CHUTE, DISCHARGE	44..	574 286001....	1 BELT, DECK
12..	525 485902....	1 BRACKET, CHUTE SUPPORT	45..	522 023401....	1 WASHER 3/8 THICK
13..	510 263701....	3 BEARING, IDLER ARM	46..	539 101686....	1 BOLT 3/8-16 x 4 1/2 HEX GR 8
14..	539 106504....	3 WASHER, HEAVY	47..	510 015101....	1 PULLEY, IDLER 7" WIDE
15..	539 131781....	3 SCREW 3/8-16 x 2 3/4 HEX FLG	48..	574 202001....	1 EYEBOLT 3/8 x 4
16..	510 254501....	3 SHIELD, DUST	49..	525 465601....	1 SPACER, IDLER PIVOT
17..	521 996501....	5 NUT 3/8-16 HEX FLG NYLOC	50..	525 310901....	1 SPRING, TORSION
18..	525 464701....	5 SCREW 5/16-18 x 3/4 HEX FLG	51..	574 262201....	1 KEEPER, BELT
19..	539 112899..	10 NUT 5/16-18 HEX FLG NYLOC	52..	574 262102....	1 GUIDE, BELT
20..	510 022401....	1 BOLT 1/2-13 x 8 RD HD	53..	539 128101....	1 BOLT 3/8-16 x 2 1/2 CARRIAGE
21..	510 022301....	3 BOLT 1/2-13 x 4 3/4 RD HD	54..	539 107271....	1 BOLT 5/16-18 x 1 RD HD
22..	539 102933....	3 BOLT 5/16-18 x 1 1/2 RD HD	55..	525 836401....	3 SPINDLE ASSY
23..	539 100472....	2 BOLT 5/16-18 x 1 1/4 RD HD	56..	525 836001....	3 SHAFT, SPINDLE
24..	539 990692..	10 WASHER 5/16 STD FLT	57..	539 130643....	6 CUP, DEBRIS
25..	539 990209....	8 BOLT 5/16-18 x 1 HEX HD	58..	539 130641....	3 SPACER
26..	539 990187....	8 WASHER 5/16 SLW	59..	539 130637....	3 HUB
27..	539 104763....	8 RETAINER, U TYPE	NOT SHOWN - OPTIONAL			
28..	525 612801....	2 SCREW 3/8-16 x 1 HEX FLG	525 341101....	3 BLADE, HIGH LIFT 25"	
29..	539 130638....	6 BEARING	574 481401....	3 BLADE, LOW LIFT 25"	
30..	539 119007....	3 BLADE BOLT	525 544701....	3 BLADE, GATOR 25"	
31..	574 210601..	18 SCREW 1/2-13 x 1 HEX FLG	574 860902....	3 BLADE, WAVY REV LIFT 25"	
32..	539 109600....	9 WASHER 5/16 DISC SPRING				
33..	539 130315....	9 BOLT 5/16-18 x 1/2 HEX NYLOC				

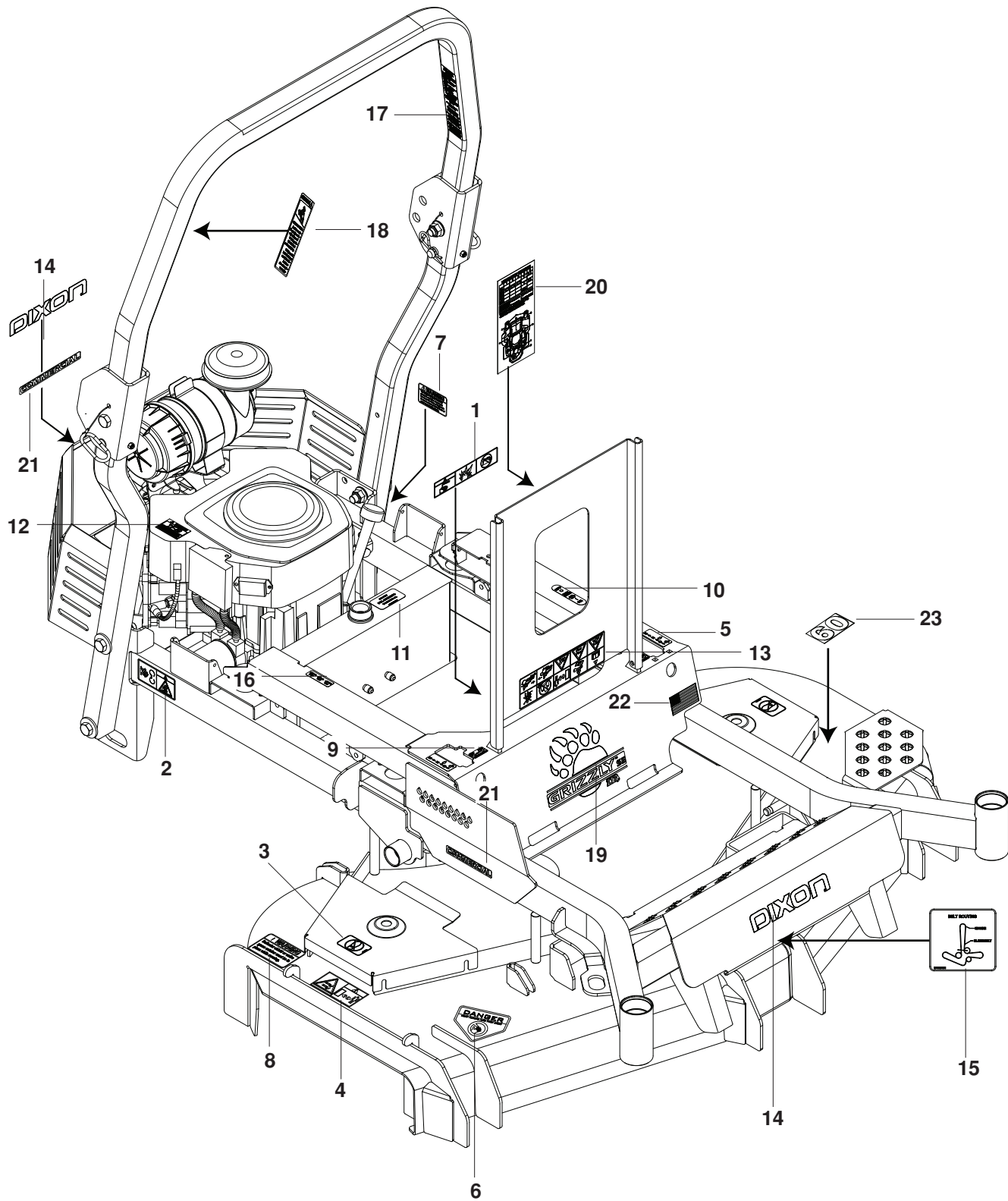
SEAT



SEAT

ITEM	PART NO.	QTY.	DESCRIPTION	ITEM	PART NO.	QTY.	DESCRIPTION
1..	574 030801....	1 SEAT ASSY	12..	521 996501....	2 NUT $\frac{3}{8}$ -16 HEX FLG NYLOC
2..	510 039302....	1 PAN, SEAT	13..	539 113226....	4 BOLT $\frac{5}{16}$ -18 x 1 THD FRM
3..	515 990601....	2 BOLT $\frac{3}{8}$ x $1\frac{1}{4}$ $\frac{5}{16}$ -18 SHLDR	14..	539 119741....	1 SWITCH, SEAT
4..	510 064101....	1 ROD, SEAT	15..	539 990645....	2 RHSNB $\frac{3}{8}$ -16 x 1
5..	539 913847....	2 RETAINER NUT $\frac{3}{8}$	16..	539 130359....	1 SEAT BELT
6..	521 996501....	2 NUT $\frac{3}{8}$ -16 HEX FLG NYLOC	17..	574 030802....	1 TRACK KIT
7..	525 834201....	2 SCREW $\frac{3}{8}$ -16 x $1\frac{1}{4}$ HEX FLG	18..	574 284605....	1 ARMREST, LT
8..	539 112899....	6 NUT $\frac{5}{16}$ -18 HEX FLG NYLOC		574 284606....	1 ARMREST, RT
9..	574 182202....	1 LATCH, SEAT				
10..	520 283101....	1 SPRING, TORSION				
11..	539 110300....	2 SPRING, TORSION				

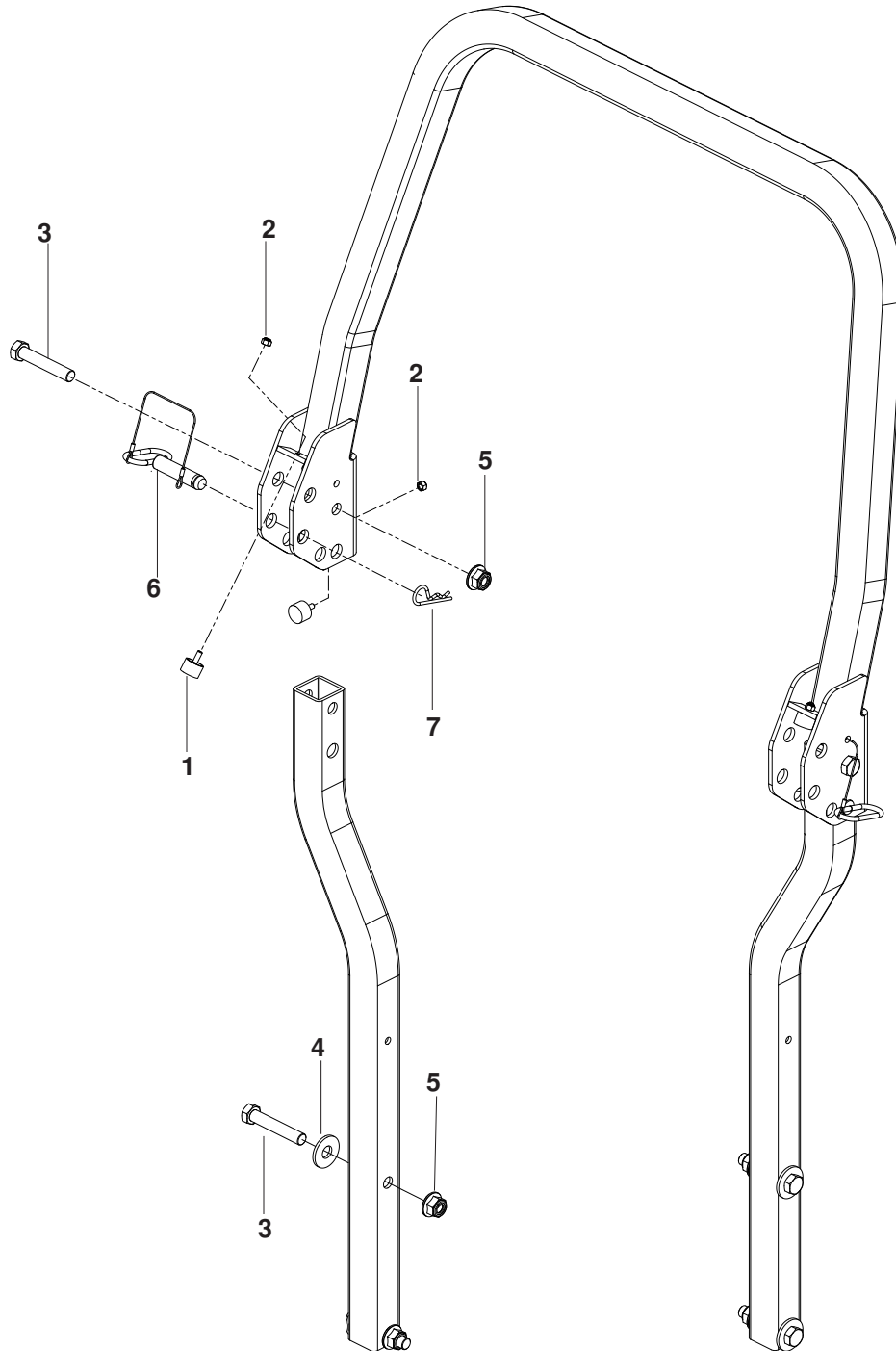
DECALS



DECALS

ITEM	PART NO.	QTY.	DESCRIPTION	ITEM	PART NO.	QTY.	DESCRIPTION
1..	539 105745....	1	DECAL, BATTERY WARNING	13..	539 107959....	1	DECAL, WARNING
2..	539 105744....	1	DECAL, BELT DRIVE WARN	14..	521 965301....	1	DECAL, DIXON
3..	539 105743....	2	DECAL, NO STEP	15..	574 437301....	1	DECAL, BELT ROUTING
4..	539 105746....	1	DECAL, SEVERING	16..	574 569401....	1	DECAL, FUSE
5..	539 103333....	2	DECAL, MOTION CONTROL	17..	574 569001....	1	DECAL, ROPS
6..	539 913010....	1	DECAL, CPSC	18..	574 569002....	1	DECAL, ROPS WARNING
7..	539 101881....	1	DECAL, PROP 65	19..	575 265601....	1	DECAL, GRIZZLY SE
8..	539 113224....	1	DECAL, WARNING	20..	574 825901....	1	DECAL, SERVICE
9..	539 110974....	2	DECAL, F.S.T	21..	521 992101....	1	DECAL, COMMERCIAL
10..	539 120006....	1	DECAL, PARK BRAKE	22..	539 117709....	1	DECAL, FLAG
11..	539 114832....	1	DECAL, OIL TANK	23..	539 130247....	1	DECAL, 60
12..	539 100128....	1	DECAL, EXHAUST		539 130248....	1	DECAL, 72

PROTECTION FRAME



PROTECTION FRAME

ITEM	PART NO.	QTY.	DESCRIPTION	ITEM	PART NO.	QTY.	DESCRIPTION
1..	522 801401....	4	BUMPER, MALE STUD 1/4-20	5..	525 829101....	6	NUT 5/8-11 FLG NYLOC
2..	539 976978....	4	NUT 1/4-20 HEX NYLOC	6..	574 388001....	2	LATCH PIN w/ LANYARD
3..	539 115576....	6	HCS 5/8-18 x 3 1/2	7..	539 200715....	2	PIN, HAIR
4..	539 102653....	4	WASHER 5/8 STD FLAT				

DIXON[®] ZTR[®]